

HUSSMANN®

IMPACT™



INNOVATOR *AND* *INNOVATOR II*

REACH-IN GLASS DOOR



INSTALLATION & SERVICE MANUAL

P/N 0425683F
September 2006

Table of Contents

General	1	Lamp Replacement (Center Mullion) ...	11
Always*Clear™ Glass	1	Lamp Replacement (End Mullion)	13
Shipping Damage	1	Ballast Replacement	13
New Installations	1	Heater Harnesses	14
Adjusting Closing Torque	1	Wiring Diagrams	15
Adjusting Door Sag	2	Replacement Parts Chart	17
Conditioning Gasket	2	Replacement Parts List	18
Replacing Doors	3		
Replacing Door Hinge Spring	5		
Replacing Magnetic Gasket	5		
Restoring Gasket Seal	6		
Door Handle Replacement	8		
Frame Heater Replacement	9		

WARRANTY

Revision E

1. Added Always*Clear cleaning information, page 1.
2. Revised text for diffuser removal, pages 11 & 12.
3. Revised wiring diagrams, pages 15 & 16.
4. Added ballast change-out direction, page 24.

REVISION F

1. Added instruction for conditioning gaskets during initial case installation, page 2.
2. Revised wiring diagrams, pages 15 & 16.
3. Added Aftermarket part numbers, pages 18 through 23.

IMPORTANT
KEEP IN STORE FOR FUTURE REFERENCE
Quality that sets industry standards!

HUSSMANN®

12999 St. Charles Rock Road • Bridgeton, MO 63044-2483

U.S. & Canada 1-800-922-1919 • Mexico 1-800-522-1900

www.hussmann.com

© 2006 Hussmann Corporation

GENERAL

Be sure merchandisers have been leveled according to the installation instructions shipped with the merchandiser.



The door nameplate is attached to the top of the door, handle side, behind the magnetic gasket.

The frame nameplate is located on the top left near the switch.

ALWAYS*CLEAR™ GLASS

Husmann recommends using a soft cloth with isopropyl (rubbing) alcohol to clean the inside (coated) glass surface. Isopropyl alcohol does not freeze and evaporates without leaving residue. Always allow the surface to dry before closing the door. Use of abrasives may damage the coated surface and void the warranty. Labels (stickers) applied to the coated surface will cause damage and void the warranty.

SHIPPING DAMAGE

All equipment should be thoroughly examined for shipping damage before and during unloading.

This equipment has been carefully inspected at our factory. Any claim for loss or damage must be made to the carrier. The carrier will provide any necessary inspection reports and/or claim forms.

NEW INSTALLATIONS

Untape the doors and remove the shipping braces located at top and bottom of the doors.

Doors are not fine adjusted at the factory since they will go out of adjustment during shipment. This is normal.

ADJUSTING CLOSING TORQUE

Adjust closing torque by turning the bottom hinge pin in the direction the door closes. Use a 1/2 in. (13 mm) wrench. Turn the hinge pin until the door closes on its own, usually 3 to 4 clicks or 3/4 turn. See Figure 1.

DO NOT over-torque the hinge spring assembly. Excessive torque (over 1 full turn) will result in damage to the spring assembly and/or door. If door does not close on its own after one full turn (5 clicks), look for obstructions causing the door to hang up.

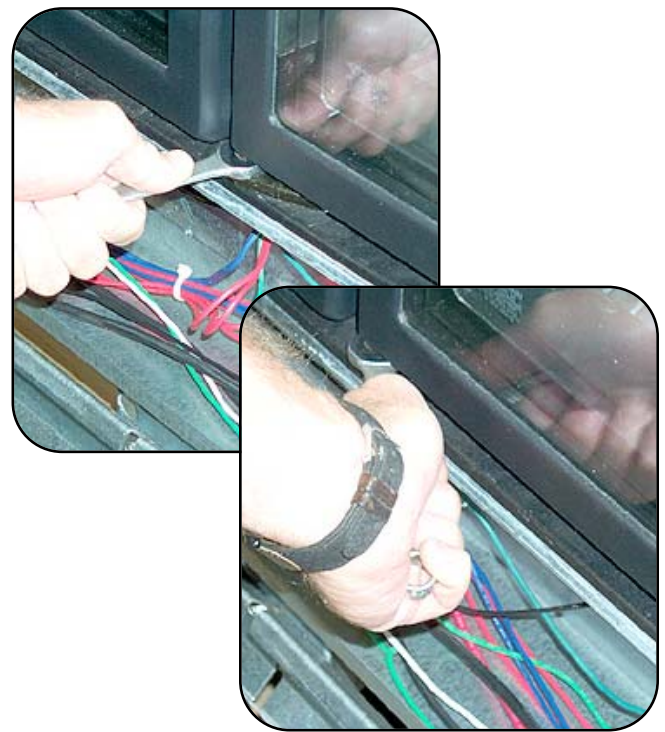


Figure 1. Adjusting Closing Torque

ADJUSTING DOOR SAG

To adjust door sag (saw-tooth effect from door to door), loosen the two hinge plate mounting screws using a Torx Plus no. 27 bit. Adjust hinge plate as needed, then tighten the screws. See Figure 2.

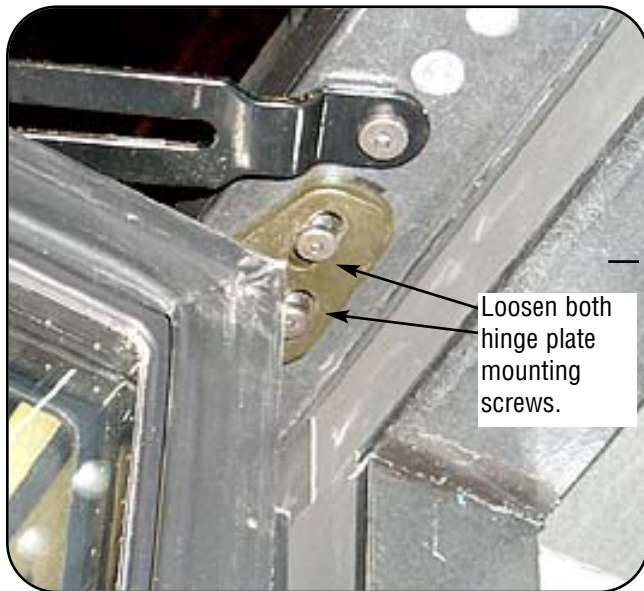


Figure 2. Adjusting Door Sag

CONDITIONING GASKETS

The manufacturer cannot control the environment surrounding cases during shipment. Temperature and humidity fluctuations during shipment, as well as excessive vibration, may promote gaps between gasket and frame. These gaps prevent gaskets from sealing even when correctly fitted at the factory. This is not a warranty issue or defect.



Before and After Gasket Conditioning

Follow this procedure to ensure gaps close and gaskets seal properly:

1. Remove all shipping retainers and packing material.
2. Close each door. Use a flashlight to identify any gaps between frame and gasket.
3. Energize all anti-sweat, fan and light circuits for at least two hours, but not more than four hours, prior to initiating the refrigeration cycle.
4. Monitor all gaps. If gaps remain at the end of four hours, follow the procedure for *Restoring Gasket Seal*, beginning on page 6 of this manual.
5. Initiate cooling sequence once gaps disappear.

Do not exceed 8 hours of energized circuits without refrigeration. Doing so may cause damage to the case and will void the warranty.

ATTENTION

TO ENSURE PROPER DOOR GASKET SEAL – REMOVE ALL SHIPPING RETAINERS AND ENERGIZE ALL ANTI-SWEAT, FAN & LIGHT CIRCUITS 2 TO 4 HOURS PRIOR TO INITIATING REFRIGERATION CYCLE.

DO NOT EXCEED 8 HOURS OF ENERGIZED CIRCUITS WITHOUT REFRIGERATION. DAMAGE OR PRODUCT FAILURE MAY OCCUR AND VOID THE WARRANTY. DO NOT REMOVE THIS LABEL UNTIL REFRIGERATION IS INITIATED.

⚠ WARNING

Always disconnect the electrical power at the main disconnect when servicing or replacing any electrical component. This includes, but is not limited to, such items as doors, lights, fans, heaters, and thermostats.

REPLACING DOORS

1. Loosen torque on door before removing the door. Wedge a screwdriver between the bottom of the door and the hinge socket, then lift the door up. This will lift the bottom hinge pin up and out of the bottom hinge socket. **Hold the hinge pin** with a 1/2 in. (13 mm) open end wrench to keep it from spinning out and stripping the socket. See Figure 3.

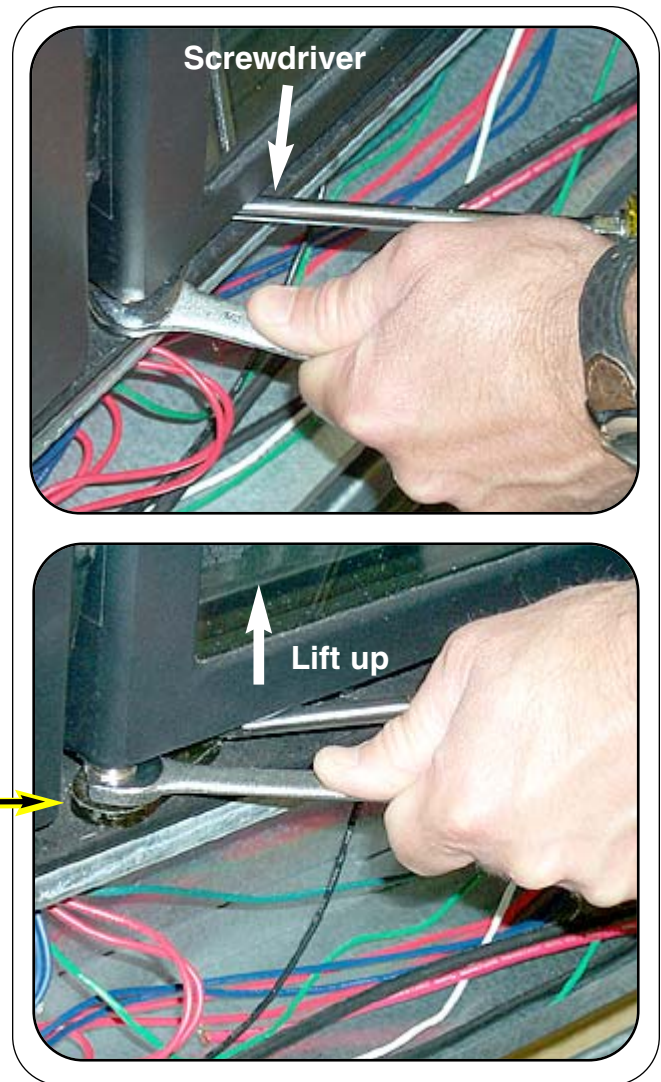


Figure 3. Loosening Torque on the Door

2. Unscrew the two #6 Phillips screws that hold the black plug into the side of the door as shown in Figure 4. Remove the plug from the door.



Figure 4. Removing Screws to Plug

3. Grasp the strain relief just below the cord and pull until the heater terminal plug comes out. See Figure 5. Note that the left end door must be opened more than 90 degrees to access the screws.



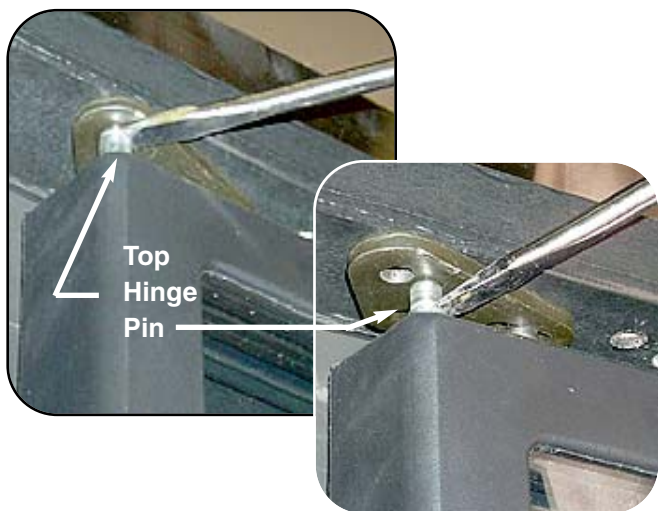
**Figure 5.
Removing the Heater Terminal Plug**

4. Use a flat blade screwdriver as shown in Figure 6 to lift the door retainer over the shoulder screw.



Figure 6. Removing the Door Retainer

5. Push down the top hinge pin until it clears the top socket using a flat blade screwdriver as shown in Figure 7. With finger, hold the hinge pin in the door to keep it from popping out. Tape may be used to temporarily hold the hinge pin once door is removed.



**Figure 7.
Removing the Door from the Top Hinge Pin**

6. Rock the door out and pull the bottom hinge pin out from the bottom socket.
7. Install the new door in reverse order.
8. Adjust the torque on the new door. If needed, adjust sag.

REPLACING DOOR HINGE SPRING

The door must be removed before replacing the door hinge spring.

Pull the hinge spring assembly out of the bottom of the door and replace with a new assembly. See Figure 8. Note that there are right-hand and left-hand hinge spring assemblies.



Figure 8. Replacing Door Hinge Spring Assembly

REPLACING MAGNETIC GASKET

Carefully remove the old gasket from the groove in the back of the door, Figure 9.



Figure 9. Removing Door Gasket

The new gasket will be easier to work with if it is at ambient temperature. Begin by lubricating the new gasket with a mild soap and water solution.

Work from the corners to the centers of each side, top and bottom. Carefully push the new gasket into the groove at each corner, refer to Figure 10(A). Then, push the gasket into the channel at the center of the top, bottom and each side, Figure 10(B). Avoid stretching the gasket.

Sub-divide remaining areas and push the gasket in at those points, Figure 10(C).

Sub-divide once again and repeat pushing the gasket in until all of the gasket is evenly seated in the groove, Figure 10(D).

Use a soft cloth or paper towels to dry the gasket before closing door on clean door frame.

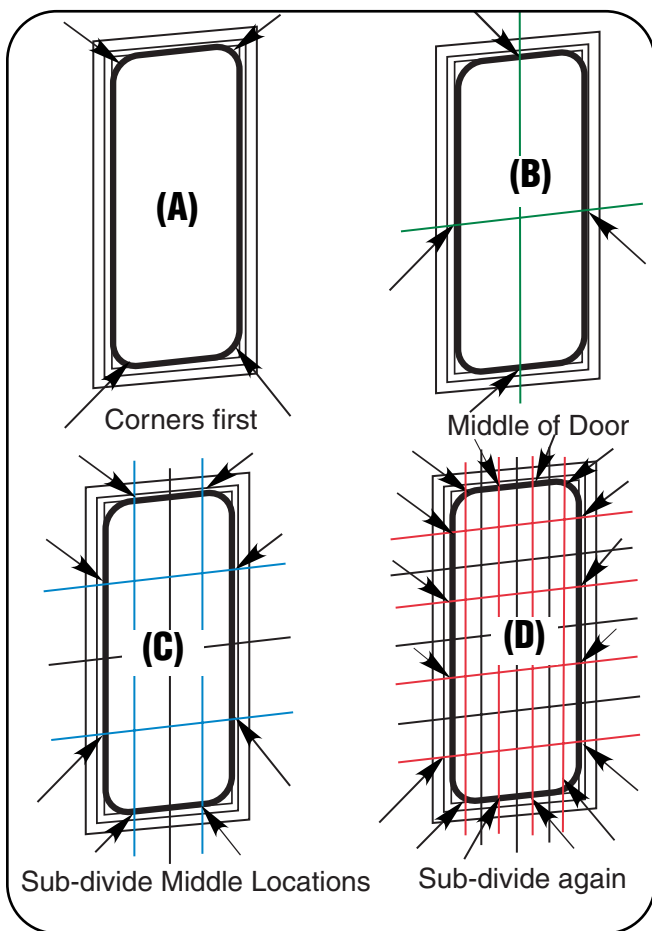


Figure 10.
Sequence for Installing New Gasket

RESTORING GASKET SEAL

Occasionally, a crimped or damaged gasket can cause gaps in the seal (Figure 11), leading to frost formation on the doors. Use this procedure to close gaps and end frost formation on doors.



Figure 11.
Improperly Installed or Damaged Gasket

Locate Gaps

Normally, interior case lighting will provide enough light to see gaps. In some cases, the only way to see gaps is to provide a backlight as shown in Figure 12(A). Backlight the door mullion and look for places the light shines between the door and gasket, Figure 12(B).

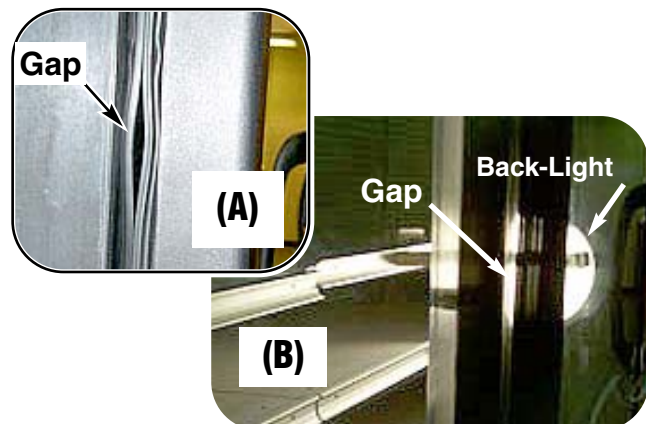


Figure 12. Back-Lighting Gaps in Gasket

Heat the Gasket

Make sure the door is closed. Beginning at the top of the gap, use a heat gun or electric hair dryer (1500-1600 watt) to heat the gasket with a constant up and down motion.

IMPORTANT: If a gap runs the entire length of the door, heat the area 4 in. (100 mm) above and 8 in. (200 mm) below the top-most point where the gap starts and work in 12 in. (300 mm) increments.

If the gasket becomes shiny, remove heat immediately as this is an indication that the gasket is near the melting point.

If possible, direct the hot air onto the gasket and also through the gap between the gasket and mullion. This will help to heat both sides of the gasket. Refer to Figure 13(A) and (B).

As the gasket softens and becomes pliable, the magnet in the gasket should pull it across the gap. As the gap closes, move heat down to create a zippering effect as shown in Figure 14.

If the gasket is not pulled across the gap by the magnet, reach around the mullion (from the inside) and pull the gasket skirt toward the mullion.

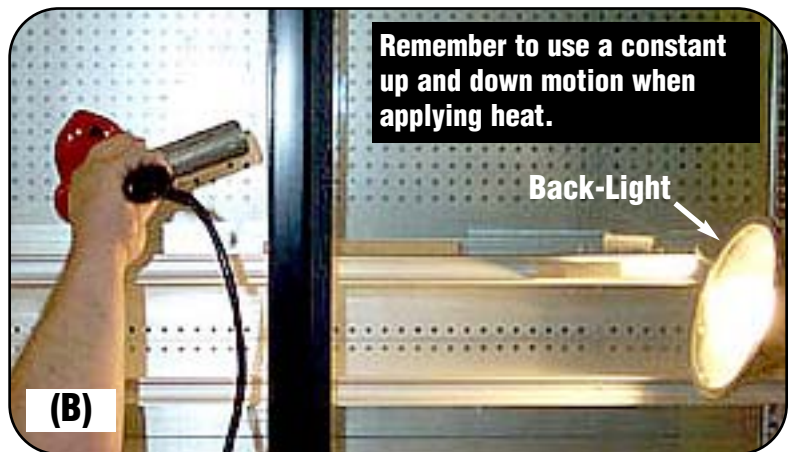


Figure 13. Applying Heat to Gasket

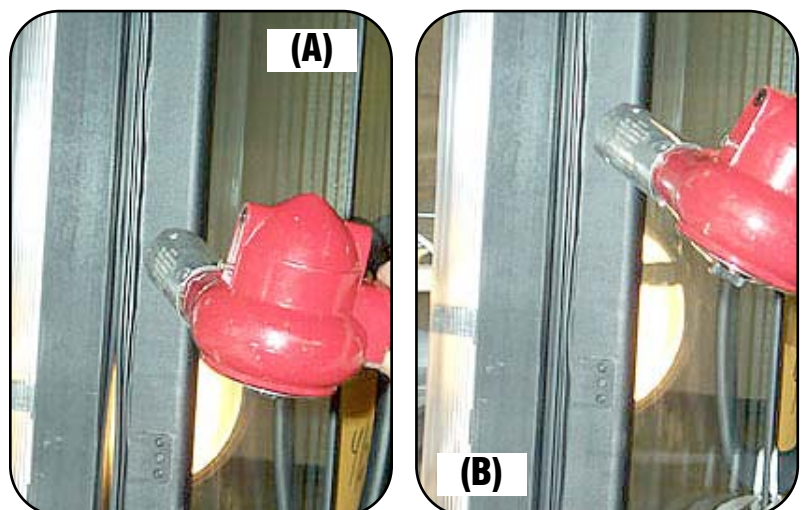


Figure 14. Zipper Effect

As shown in Figure 15, this can also be accomplished by pushing the magnet across the gap from the outside with a pencil or other non-heat conducting material.



Figure 15. Pulling Gasket Into Place With a Pencil

On doors where the gap is against an end, top, or bottom mullion, this process can still be done; however, the heat will need to be directed between the lip of the mullion and the edge of the door. It will work in the same fashion but the back-light shining through and showing on the mullion will have to be a guide as to the position of the gasket.

Cool the Gasket

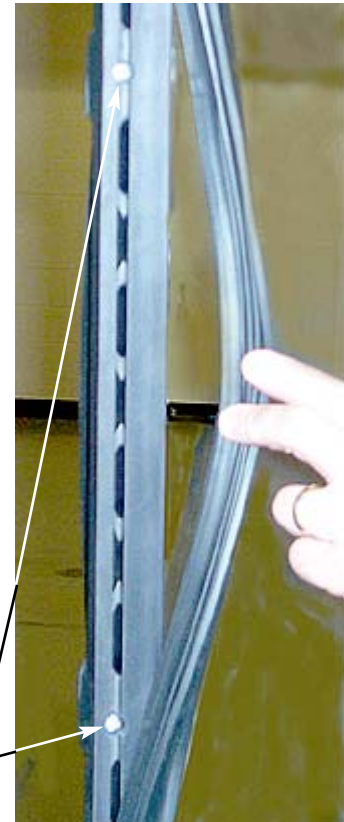
Once the gap is closed, remove the heat and allow the gasket to cool, undisturbed, for 3 to 5 minutes. As the gasket cools, it will set permanently in this new shape.

Once the gasket is cool to the touch, open the and close the door. Verify that the gasket seals. If not, repeat the process. If the gasket rolls it must be replaced.

Use a soft cloth or paper towels, and a mild soap and water solution to thoroughly clean the gasket. Dry the gasket completely with a fresh cloth or paper towels before closing the door on a clean door frame.

DOOR HANDLE REPLACEMENT

Carefully pull the magnetic gasket out of the groove nearest the handle to expose the mounting screws as shown in Figure 16. Remove the screws and replace the handle. After reinstalling screws, carefully push gasket back into groove. If needed, use a mild soap and water solution to lubricate the gasket. Clean and dry the gasket to complete the door handle replacement.



Mounting Screws

Figure 16. Replacing Door Handle

! WARNING

Always disconnect the electrical power at the main disconnect when servicing or replacing any electrical component. This includes, but is not limited to, such items as doors, lights, fans, heaters, and thermostats.

knife or flat head screwdriver to hold up the cover. Pry the remainder of the section up, using putty knife only, until the entire cover is off and the frame heater inside the door frame is exposed.

Door frame heaters shown in Figure 18 may now be replaced.

FRAME HEATER REPLACEMENT

Always turn off power to the case before working on any electrical components. The old wireway covers must be removed to access the door frame heaters. Begin by inserting a putty knife into the groove between the wireway cover and fiberglass frame, about an inch (25 mm) away from joints in the frame as shown in Figure 17(A). Carefully begin to pry off the cover.

Hussmann recommends against frame heater cycling with *Innovator* doors to prevent door seals from freezing to the frames and tearing.

As shown in Figure 17(B), use a second putty

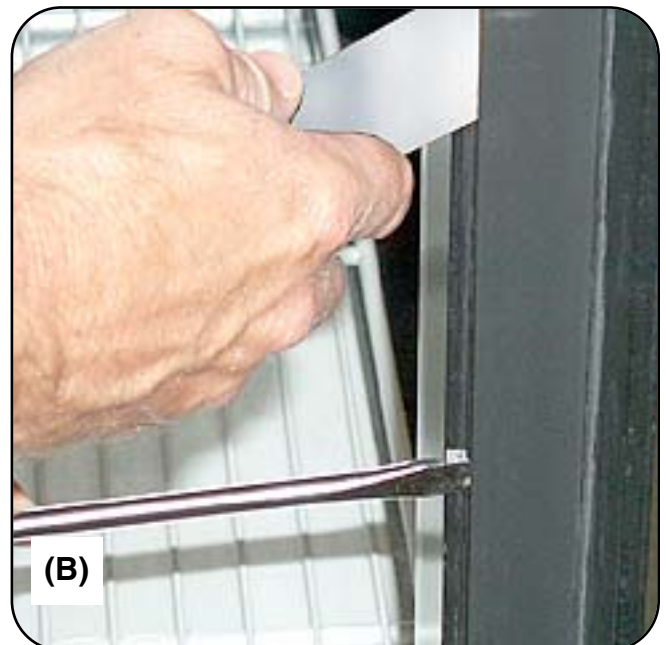
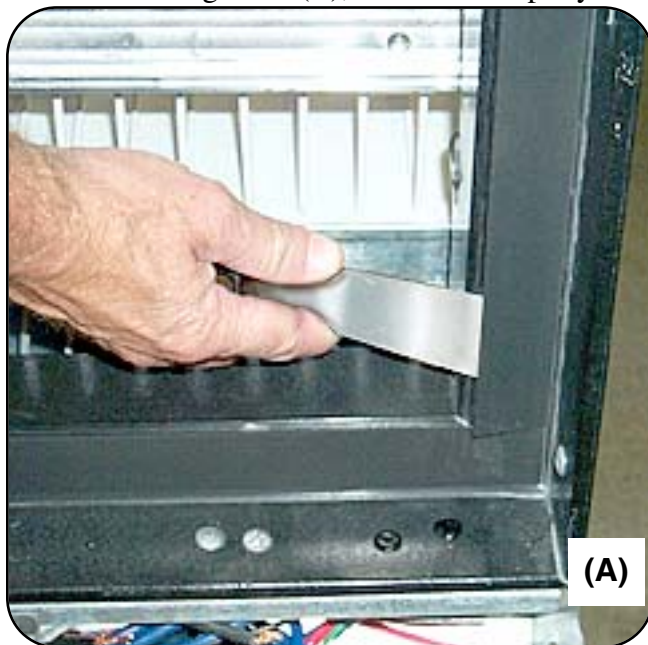


Figure 17. Removing Door Wireway Covers

During installation, the white portion of the heater should not come in contact with itself. The heater should be installed so that only one white portion of the wire enters the raceway. The other portion entering the raceway will be the black lead wire.

Once the heater wire is connected, check resistance (ohm reading) before replacing wireway covers. This will ensure that heater wire was not broken during installation.

After covers are reinstalled, turn power on and verify that heaters are working properly.

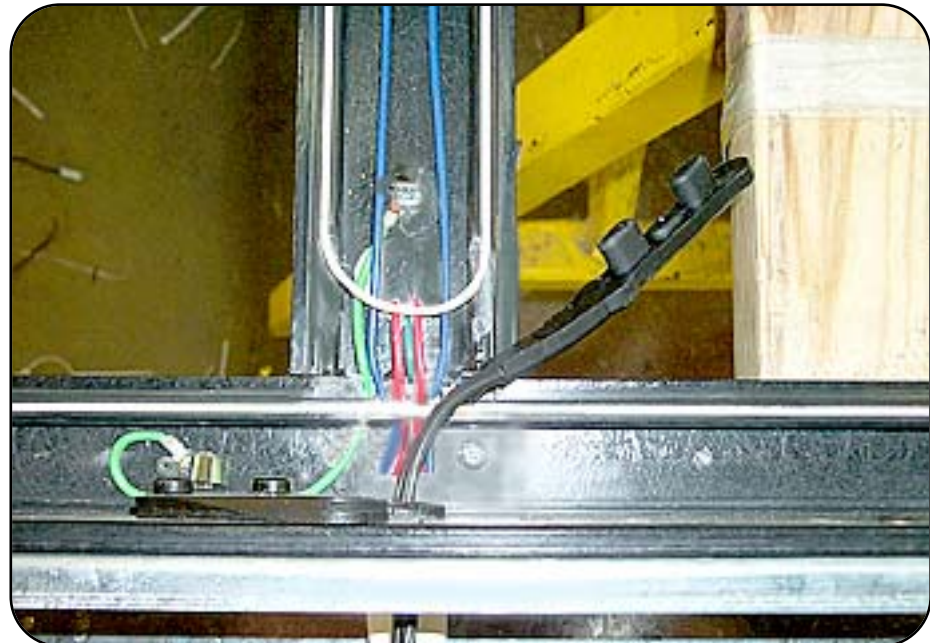
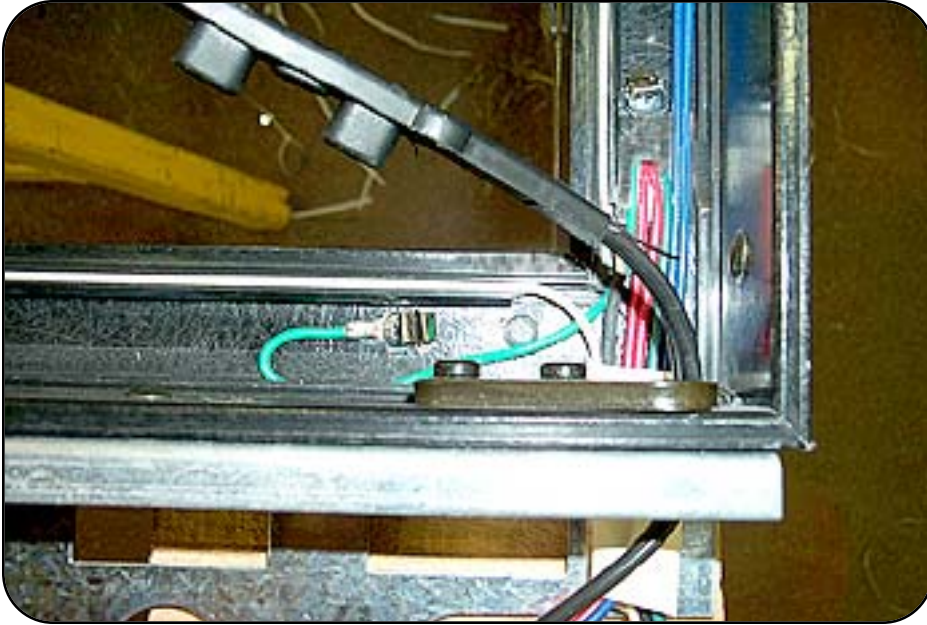


Figure 18. Replacing Door Frame Heaters

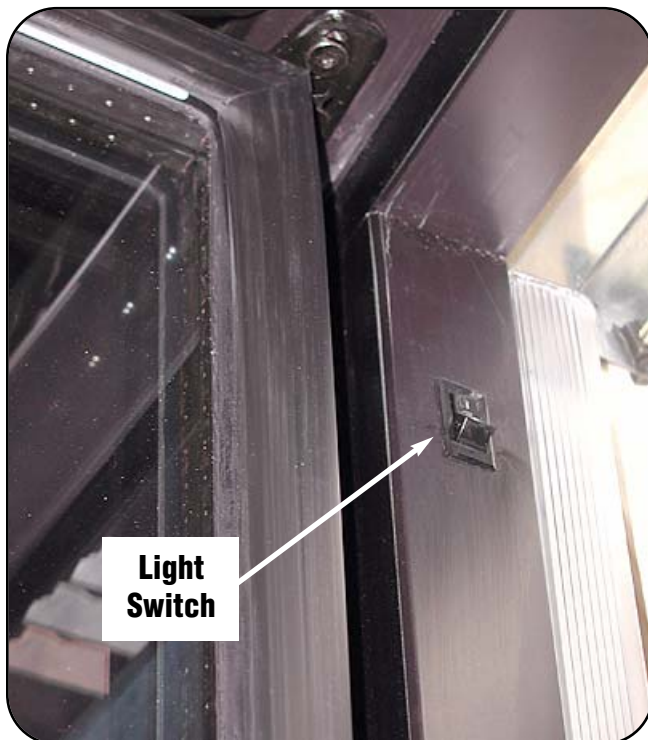
⚠ WARNING

Always disconnect the electrical power at the main disconnect when servicing or replacing any electrical component. This includes, but is not limited to, such items as doors, lights, fans, heaters, and thermostats.

LAMP (CENTER MULLION) REPLACEMENT

Note: No additional parts need to be removed to change out the lamps

1. Turn off lights at switch.



Reach-in models manufactured with Innovator or Innovator II doors have anti-arc ballast. When re-starting lamps, turn power off then on.

2. Disengage the diffuser clips from the mullion by squeezing the diffuser cover at the clips. Two hands may be required as shown in Figure 19.

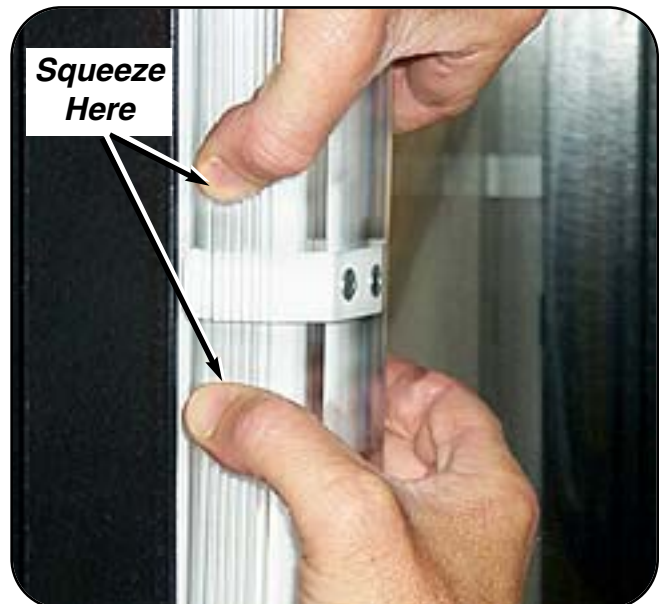


Figure 19. Disengaging Diffuser Clips

3. Raise the diffuser slightly upward and out of the bottom filler. Twist the bottom of the diffuser toward the shelf and center of the door while lowering slightly to clear the honeycomb retainer. Pull the top of the diffuser toward the

shelf and over the lamp tube and wires. The top part of the diffuser must be below the honeycomb retainer and above the lamp tube. The bottom filler need not be removed. See Figure 20.

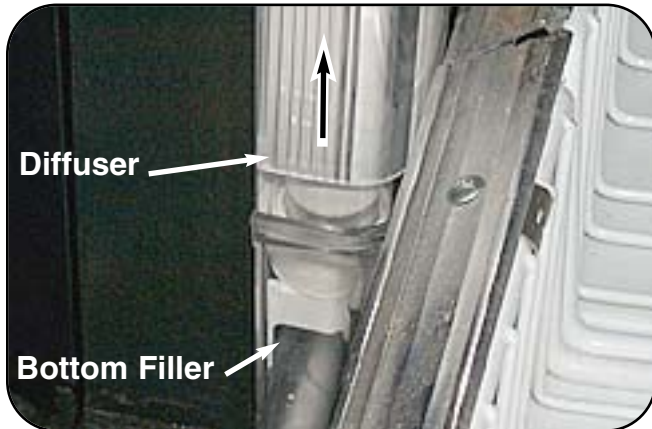
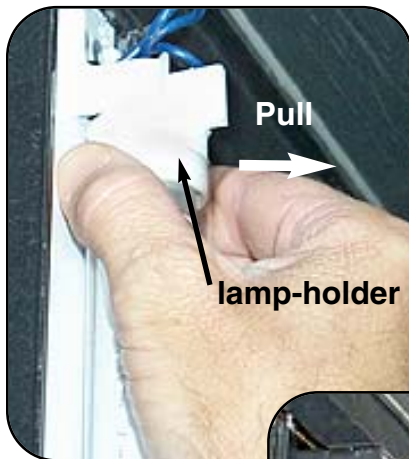
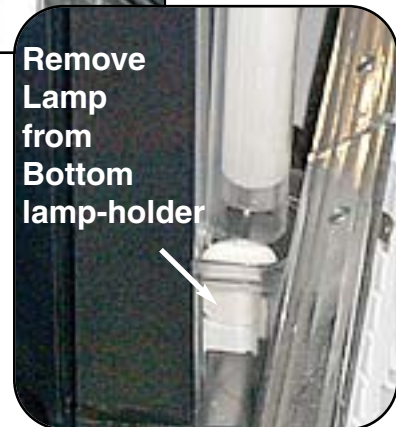


Figure 20.
Removing Diffuser from Center Mullion Lamp

4. Pull the top lamp-holder out of the lamp-holder bracket as shown below.

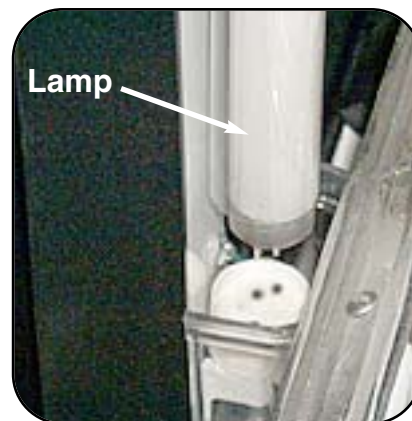


5. Next, remove the lamp-holder from the lamp and pull the lamp out of the bottom lamp-holder.



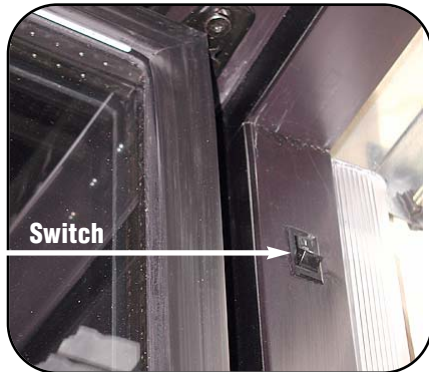
6. Remove the tube guard from old lamp and place it on the new lamp.

7. Install the new lamp in reverse order. Ensure lamp pins line up with lamp-holder holes as shown below, and that lamp-holder is fully engaged in lamp-holder bracket.



LAMP (END MULLION) REPLACEMENT

1. Turn off lights at switch.



2. Pry the diffuser away from the end reflector, using a flat blade screwdriver. Pull the diffuser slightly upward and out of the bottom filler. The bottom filler does not have to be removed to replace the lamps. See Figure 21.



Figure 21.
Removing Diffuser from End Mullion Lamp

3. Pull the top lamp-holder out of the lamp-holder bracket.

⚠ WARNING

Always disconnect the electrical power at the main disconnect when servicing or replacing any electrical component. This includes, but is not limited to, such items as doors, lights, fans, heaters, and thermostats.

4. Next, pull the lamp-holder off the lamp and pull the lamp out of the bottom lamp-holder.
5. Remove the tube guard from old lamp and place it on the new lamp.
6. Replace lamp by reversing the procedure. Ensure lamp pins line up with lamp-holder holes, and that lamp-holder is fully engaged in lamp-holder bracket.

BALLAST REPLACEMENT

Ballasts are located in the raceway below the door frame as shown in Figure 22. To access the raceway, remove the bumper, then remove the #8 hex head screws that hold on the front painted panel.

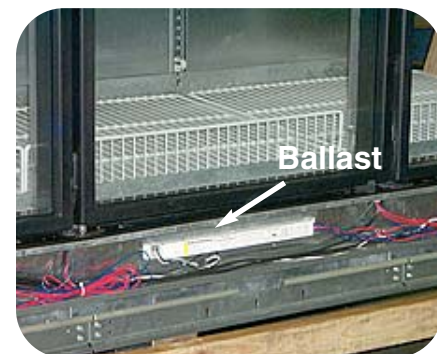
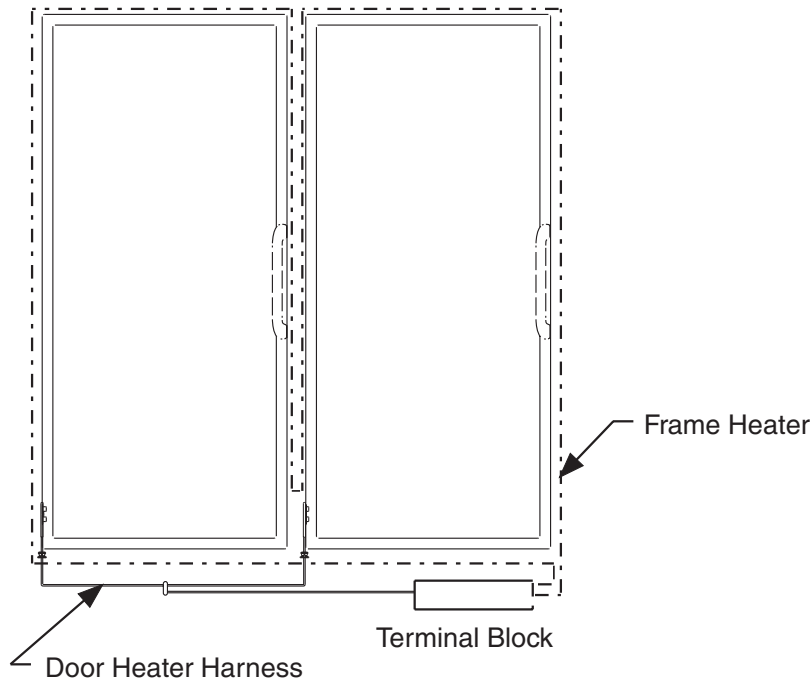
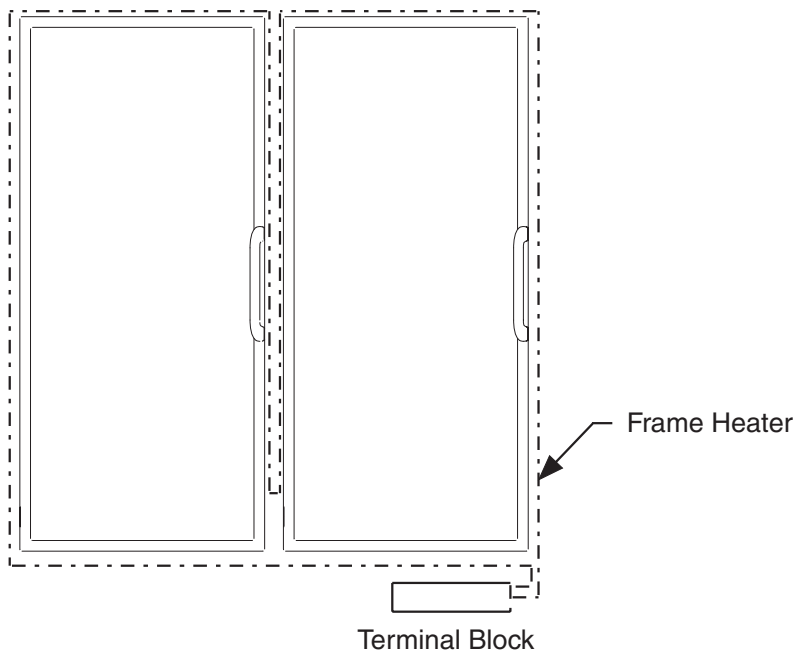


Figure 22. Ballast Location



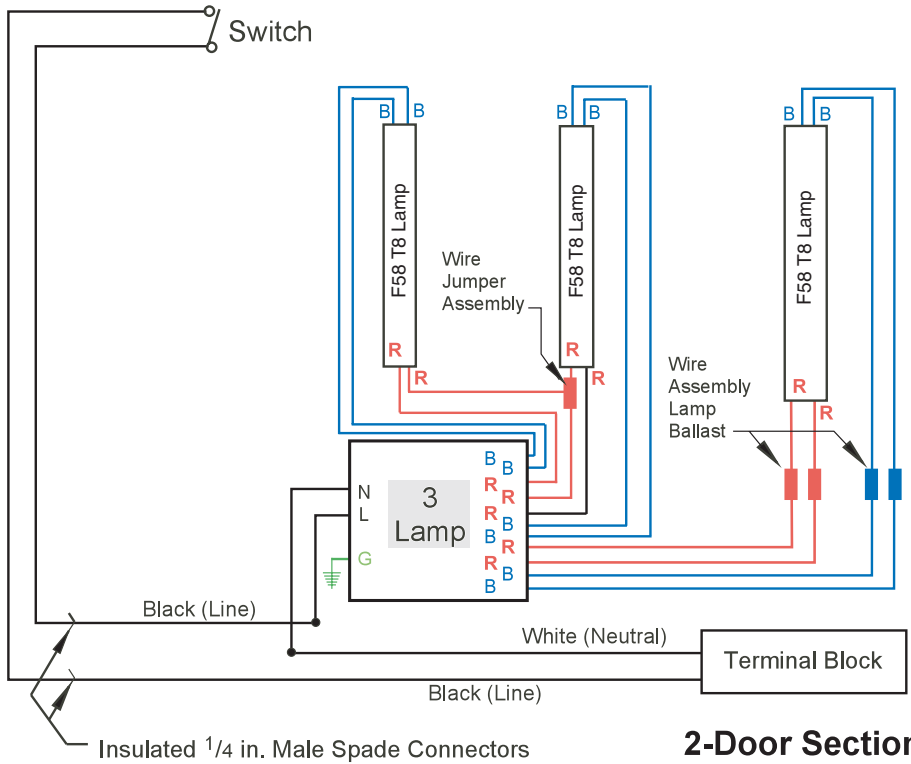
Typical Low Temperature Frames



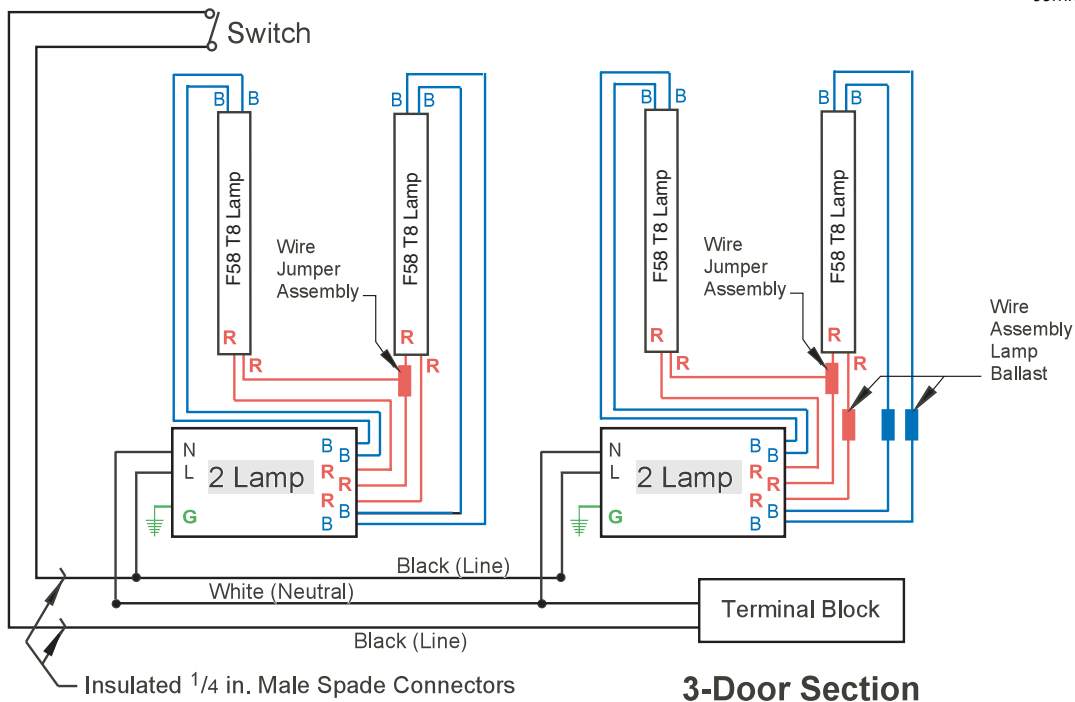
Typical Medium Temperature Frames

Heater Harnesses

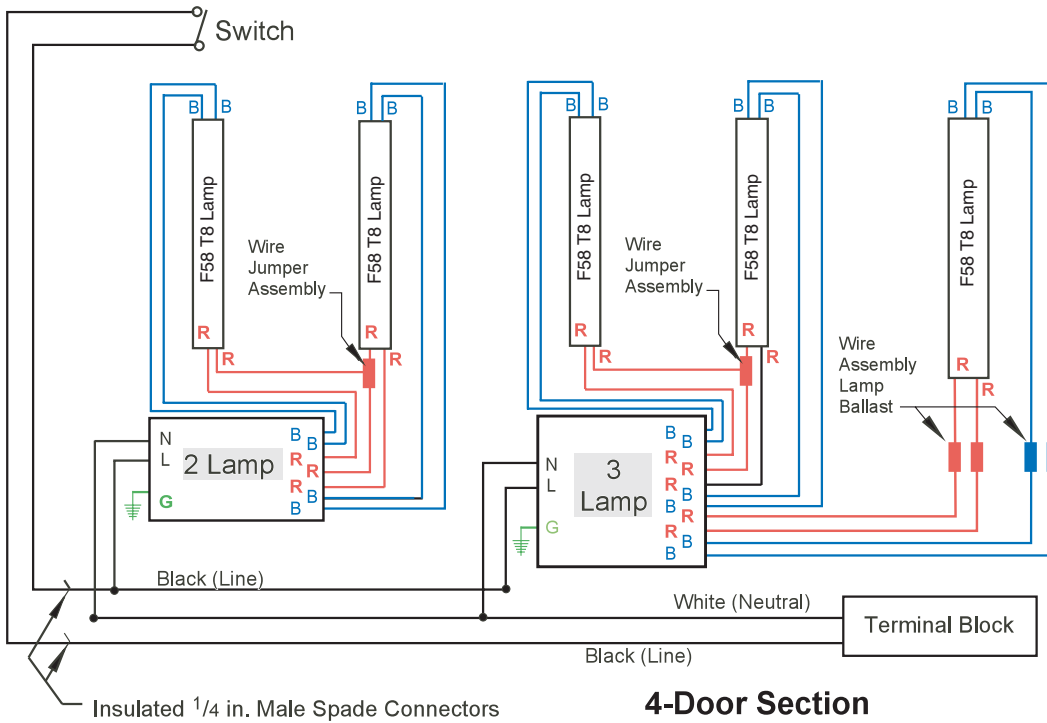
120V Electronic Ballast Wiring Diagrams



Two lamp wiring has a red wire from each lamp spliced together and returning to the ballast. Two blue wires and one red wire go to the ballast as a group from each lamp. Note that one lamp goes to top 3 pins, second lamp goes to bottom 3 pins, with a common connection between.

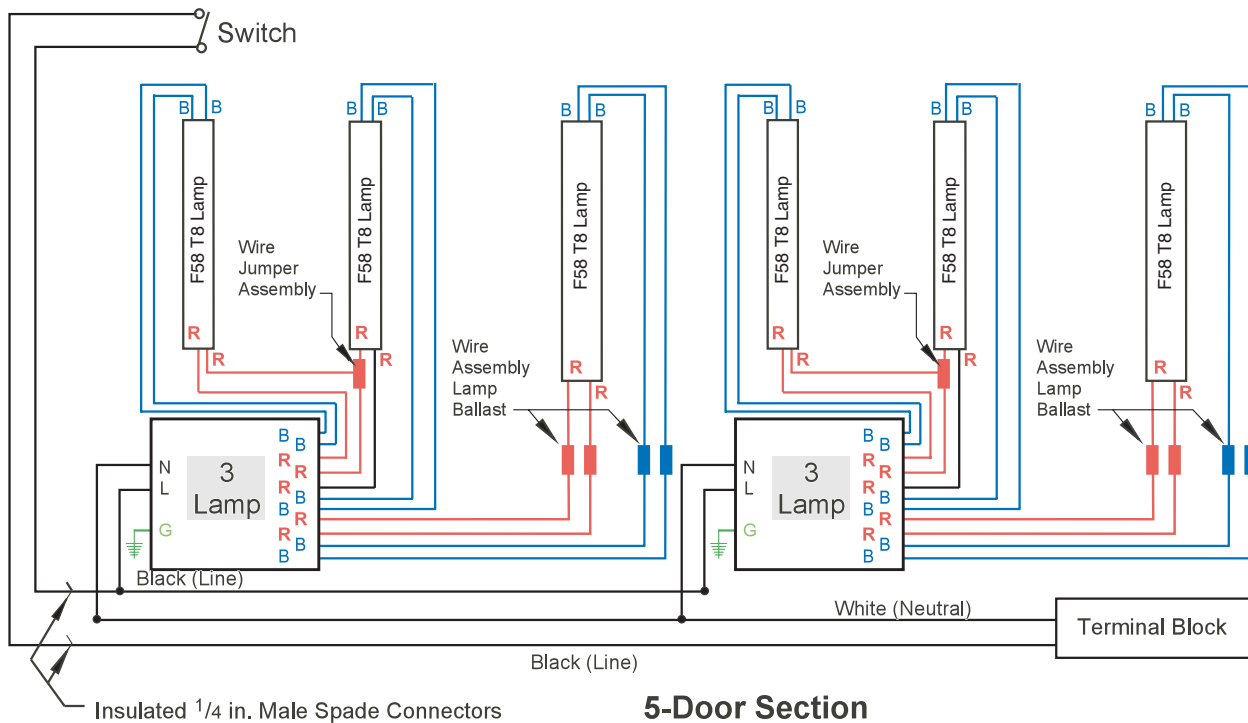


120V Electronic Ballast Wiring Diagrams

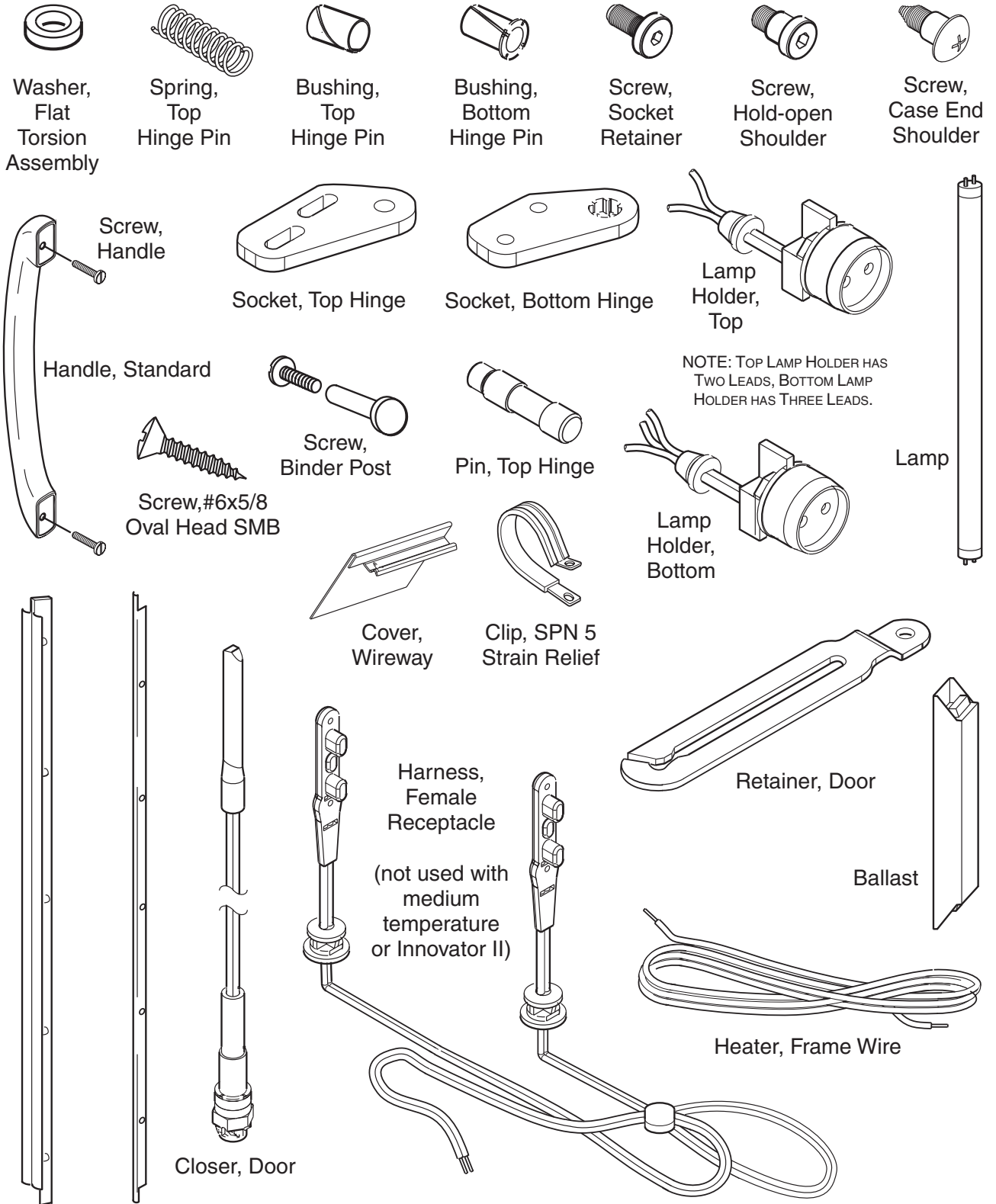


Two lamp wiring has a red wire from each lamp spliced together and returning to the ballast. Two blue wires and one red wire go to the ballast as a group from each lamp. Note that one lamp goes to top 3 pins, second lamp goes to bottom 3 pins, with a common connection between.

4-Door Section



5-Door Section



NOTE: TOP LAMP HOLDER HAS TWO LEADS, BOTTOM LAMP HOLDER HAS THREE LEADS.

(not used with medium temperature or Innovator II)

Innovator and Innovator II Door and Frame Part Identification Chart

Parts List

Description	Mfg Part No.	Aftermarket Part No.	Service Part No.
Ballast—One Lamp 1/F58/120v	0430329	BA.4480341	4480341
Ballast—Two Lamp 2/F58/120v	0430330	BA.4480342	4480342
Ballast—Three Lamp 3/F58/120V	0454319	BA.4480601	4480601
Ballast 1-3/F58/105-250V	0424649	BA.0424649	4480110
Bushing—Bottom Hinge Pin	0428547	DO.4550122	4550122
Bushing—Top Hinge Pin	0428548	HH.4550123	4550123
Clip—Mullion Diffuser	0428595	HH.0428595	4550105
Clip—SPN 5 Strain Relief	0432602	TP.4550113	4550113
Closer—Door Lh — Standard 65-inch Door	0428627	HH.4550125	4550125
Closer—Door Rh — Standard 65-inch Door	0428628	HH.4550126	4550126
Closer—Door Lh — RLT 75-inch Door	0454328	HH.4550307	4550307
Closer—Door Rh — RLT 75-inch Door	0454329	HH.4550308	4550308
Cover—Wireway 2 Door Top Lh Black (Bottom Rh)	0428566	TP.0428566	4910108
Cover—Wireway 2 Door Top Lh Gray (Bottom Rh)	0428575	TP.0428575	4910116
Cover—Wireway 2 Door Top Lh 311 Pearl (Bottom Rh)	0442048	TP.0442048	4910275
Cover—Wireway 2 Door Top Rh Black (Bottom Lh)	0428567	TP.0428567	4910109
Cover—Wireway 2 Door Top Rh Gray (Bottom Lh)	0428576	TP.0428576	4910117
Cover—Wireway 2 Door Top Rh 311 Pearl (Bottom Lh)	0442049	TP.0442049	4910276
Cover—Wireway 3 Door Top Lh Black (Bottom Rh)	0428568	TP.0428568	4910110
Cover—Wireway 3 Door Top Lh Gray (Bottom Rh)	0428577	TP.0428577	4910118
Cover—Wireway 3 Door Top Lh 311 Pearl (Bottom Rh)	0442088	TP.0442088	4910277
Cover—Wireway 3 Door Top Rh Black (Bottom Lh)	0428569	TP.0428569	4910111
Cover—Wireway 3 Door Top Rh Gray (Bottom Lh)	0428578	TP.0428578	4910119
Cover—Wireway 3 Door Top Rh 311 Pearl (Bottom Lh)	0442089	TP.0442089	4910278
Cover—Wireway 4 & 5 Door Top Lh Black (Bottom Rh)	0428570	TP.0428570	4910112
Cover—Wireway 4 & 5 Door Top Lh Gray (Bottom Rh)	0428579	TP.0428579	4910120
Cover—Wireway 4 & 5 Door Top Lh 311 Pearl (Bottom Rh)	0442094	TP.0442094	4910279
Cover—Wireway 4 & 5 Door Top Rh Black (Bottom Lh)	0428571	TP.0428571	4910113
Cover—Wireway 4 & 5 Door Top Rh Gray (Bottom Lh)	0428580	TP.0428580	4910121
Cover—Wireway 4 & 5 Door Top Rh 311 Pearl (Bottom Lh)	0442095	TP.0442095	4910280

Parts List (Continued)

Description	Mfg Part No.	Aftermarket Part No.	Service Part No.
Cover–Wireway 5 Door Center Black	0428572	TP.0428572	4910114
Cover–Wireway 5 Door Center Gray	0428581	TP.0428581	4910122
Cover–Wireway 5 Door Center 311 Pearl	0442100	TP.0442100	4910281
Cover–Wireway End Black — Standard	0428565	TP.0428565	4910125
Cover–Wireway End Gray — Standard	0428574	TP.0428574	4910123
Cover–Wireway End 311 Pearl — Standard	0442047	TP.0442047	4910282
Cover–Wireway End Black — RLT	0304949	TP.4978787	4978787
Cover–Wireway End Gray — RLT	0305004	TP.4978788	4978788
Cover–Wireway End 311 Pearl — RLT	N/A	N/A	N/A
Cover–Wireway Mullion Black — Standard	0428564	TP.0428564	4910115
Cover–Wireway Mullion Gray — Standard	0428573	TP.0428573	4910124
Cover–Wireway Mullion 311 Pearl — Standard	0442046	TP.0442046	4910283
Cover–Wireway Mullion Black — RLT	0304948	TP.4978791	4978791
Cover–Wireway Mullion Gray — RLT	0305003	TP.4978792	4978792
Cover–Wireway Mullion 311 Pearl — RLT	N/A	N/A	N/A
Diffuser Assembly–Left	0428592	BU.0428592	4910127
Diffuser Assembly–Mullion	0428594	BU.0428594	4910126
Diffuser Assembly–Right	0428593	BU.0428593	4910128
Door–Innovator Med Temp Black Lh	0425617	DO.0425617	4980180
Door–Innovator Med Temp Black Rh	0425618	DO.0425618	4980102
Door–Innovator Med Temp Gray Lh	0425619	DO.0425619	4980103
Door–Innovator Med Temp Gray Rh	0425620	DO.0425620	4980104
Door–Innovator Med Temp 311 Pearl Lh	N/A	N/A	N/A
Door–Innovator Med Temp 311 Pearl Rh	N/A	N/A	N/A
Door–Innovator Low Temp Black Lh — Standard	0415937	DO.4980105	4980105
Door–Innovator Low Temp Black Rh — Standard	0415938	DO.0415938	4980176
Door–Innovator Low Temp Gray Lh — Standard	0415947	DO.0415947	4980179
Door–Innovator Low Temp Gray Rh — Standard	0415948	DO.0415948	4980108
Door–Innovator Low Temp 311 Pearl Lh — Standard	0441633	DO.0441633	4980332
Door–Innovator Low Temp 311 Pearl Rh — Standard	0441634	DO.0441634	4980333

Parts List (Continued)

Description	Mfg Part No.	Aftermarket Part No.	Service Part No.
Door–Innovator Low Temp Black Lh — RLT	0456167	DO.4981150	4981150
Door–Innovator Low Temp Black Rh — RLT	0445379	DO.4980999	4980999
Door–Innovator Low Temp Gray Lh — RLT	0445382	DO.4980978	4980978
Door–Innovator Low Temp Gray Rh — RLT	0445383	DO.4981000	4981000
Door–Innovator Low Temp 311 Pearl Lh — RLT	N/A	N/A	N/A
Door–Innovator Low Temp 311 Pearl Rh — RLT	N/A	N/A	N/A
Door–Innovator II Black Lh	0440469	DO.0440469	4980109
Door–Innovator II Black Rh	0440470	DO.0440470	4980110
Door–Innovator II Gray Lh	0440471	DO.0440471	4980111
Door–Innovator II Gray Rh	0440472	DO.0440472	4980112
Door–Innovator II 311 Pearl Lh	0441635	DO.0441635	4980334
Door–Innovator II 311 Pearl Rh	0441636	DO.0441636	4980335
<i>Note: Innovator II Doors are not available for RLT</i>			
Door–Innovator No*Fog Black Lh — Standard	0458381	DO.4982571	4982571
Door–Innovator No*Fog Black Rh — Standard	0458382	DO.4982572	4982572
Door–Innovator No*Fog Gray Lh — Standard	0458455	DO.4982574	4982574
Door–Innovator No*Fog Gray Rh — Standard	0458456	DO.4978782	4978782
Door–Innovator No*Fog Black Lh — RLT	0461549	DO.4982578	4982578
Door–Innovator No*Fog Black Rh — RLT	0461550	DO.4978783	4978783
Door–Innovator No*Fog Gray Lh — RLT	0461551	DO.4978784	4978784
Door–Innovator No*Fog Gray Rh — RLT	0461552	DO.4978785	4978785
Door–Innovator II No*Fog Black Lh — Standard	0458383	DO.4982573	4982573
Door–Innovator II No*Fog Black Rh — Standard	0458384	DO.4978028	4978028
Door–Innovator II No*Fog Gray Lh — Standard	0458457	DO.4987587	4987587
Door–Innovator II No*Fog Gray Rh — Standard	0458458	DO.4978786	4978786
Filler–Diffuser Lh	0421028	TP.0421028	4910129
Filler–Diffuser Mullion	0421030	TP.4914216	4914216
Filler–Diffuser Rh	0421029	TP.4914291	4914291

Parts List (Concluded)

Description	Mfg Part No.	Aftermarket Part No.	Service Part No.
Gasket—Black Magnetic — Standard	0428562	GA.4330101	4330101
Gasket—Gray Magnetic — Standard	0428563	GA.4330102	4330102
Gasket—Black Magnetic — RLT	0461957	GA.4330208	4330208
Gasket—Gray Magnetic — RLT	0461958	GA.4330207	4330207
Handle—Standard Black Door	0428559	HH.0428559	4910106
Handle—Standard Gray Door	0428561	HH.4910107	4910107
Handle—Standard 311 Pearl Door	0441686	HH.4914279	4914279
Harness—Ballast Supply 2 Door	0430293	ES.0430293	4440112
Harness—Ballast Supply 3 Door	0430294	ES.0430294	4440113
Harness—Ballast Supply 4 Door	0430295	ES.0430295	4440114
Harness—Ballast Supply 5 Door	0430296	ES.0430296	4440115
Harness—Door Heater 2 Door	0432596	ES.0432596	4440108
Harness—Door Heater 3 Door	0432597	ES.0432597	4440109
Harness—Door Heater 4 Door	0432598	ES.0432598	4440110
Harness—Door Heater 5 Door	0432599	ES.0432599	4440111
Harness—Female Receptacle Black	0432600	ES.0432600	4440104
Harness—Female Receptacle Gray	0432601	ES.0432601	4440105
Harness—Female Receptacle 311 Pearl	N/A	N/A	N/A
Harness—Opposite Swing Black	0432612	ES.0432612	4440106
Harness—Opposite Swing Gray	0432613	ES.0432613	4440107
Harness—Opposite Swing 311 Pearl	N/A	N/A	N/A
Heater—Frame Wire 2 Door Innovator Low Temp — Standard	0428601	HE.4480101	4480101
Heater—Frame Wire 3 Door Innovator Low Temp — Standard	0428602	HE.4480102	4480102
Heater—Frame Wire 4 Door Innovator Low Temp — Standard	0428603	HE.4480103	4480103
Heater—Frame Wire 5 Door Innovator Low Temp — Standard	0428604	HE.4480104	4480104
Heater—Frame Wire 2 Door Innovator — RLT	0458438	HE.4850651	4850651
Heater—Frame Wire 3 Door Innovator — RLT	0458439	HE.4850610	4850610
Heater—Frame Wire 4 Door Innovator — RLT	0458440	HE.4850652	4850652
Heater—Frame Wire 5 Door Innovator — RLT	0458441	HE.4850611	4850611

Parts List (Continued)

Description	Mfg Part No.	Aftermarket Part No.	Service Part No.
Heater–Frame Wire 2 Door Innovator II & Med Temp	0440150	HA.440150	4480113
Heater–Frame Wire 3 Door Innovator II & Med Temp	0440151	HA.440151	4480114
Heater–Frame Wire 4 Door Innovator II & Med Temp	0440152	HA.440152	4480115
Heater–Frame Wire 5 Door Innovator II & Med Temp	0440153	HA.0440153	4480116
Lamp–Fluorescent F58/T8 4100K, Standard	0428614	BU.4480339	4480339
Lamp–Fluorescent F58/T8 3500K,	0425687	BU.0425687	4480340
Lamp–Fluorescent F58/T8 3500K, GE	0425694	BU.0425694	4480105
lamp-holder–Bottom	0428582	BU.4440116	4440116
lamp-holder–Top	0428583	BU.4440117	4440117
Molding–End Black — Standard	0425607	TP.0425607	4980336
Molding–End Gray — Standard	0425609	TP.0425609	4980337
Molding–End 311 Pearl — Standard	0442338	TP.0442338	4980338
Molding–End Black — RLT	0456200	TP.4987550	4987550
Molding–End Gray — RLT	0456201	TP.4912879	4912879
Molding–End 311 Pearl — RLT	N/A	N/A	N/A
Molding–Joint Black — Standard	0425608	TP.0425608	4980340
Molding–Joint Gray — Standard	0425610	TP.0425610	4980341
Molding–Joint 311 Pearl — Standard	0442337	TP.0442337	4980339
Molding–Joint Black — RLT	0456200	TP.4987550	4987550
Molding–Joint Gray — RLT	0456201	TP.4912879	4912879
Molding–Joint 311 Pearl — RLT	N/A	N/A	N/A
Pin–Top Hinge	0428546	HH.4550121	4550121
Plug – 1/4 Button Black	0428597	HH.0428597	4550115
Plug – 1/4 Button Gray	0428599	HH.0428599	4550117
Plug – 1/4 Button 311 Pearl	0441687	TP.0441687	4910285
Plug – 3/4 Button Black	0428596	HH.0428596	4550116
Plug – 3/4 Button Gray	0428598	HH.0428598	4550118
Plug – 3/4 Button 311 Pearl	0442937	TP.4987257	4987257

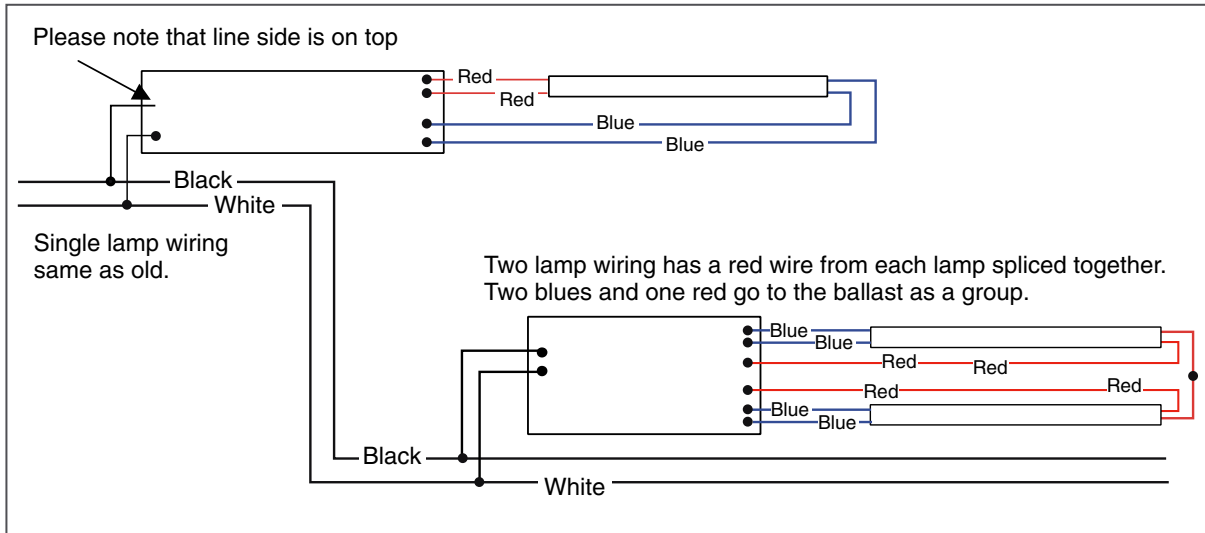
Parts List (Continued)

Description	Mfg Part No.	Aftermarket Part No.	Service Part No.
Retainer–Door Black	0458446	TP.4913201	4913201
Retainer–Door Silver	0458447	TP.4978039	4978039
Screw–Handle	0428558	XX.0428558	4550108
Screw–Harness	0428652	BA.4480897	4480897
Screw–Hold-open Shoulder Black	0442731	DO.4550301	4550301
Screw–Hold-open Shoulder Silver	0442732	DO.4550303	4550303
Screw–Case End Shoulder Black	0428616	XX.0428616	4550128
Screw–Case End Shoulder Silver	0428617	XX.0428617	4550129
Screw–Socket Retainer Black	0430364	XX.0430364	4550111
Screw–Socket Retainer Silver	0430365	XX.0430365	4550112
Screw–Oval Head Sheet Metal	0425647	XX.0425647	4550107
Shield–Lamp	0428600	BU.0428600	4550106
Socket–Bottom Hinge Black	0428586	HH.4550104	4550104
Socket–Bottom Hinge Silver	0428590	HH.4550102	4550102
Socket–Top Hinge Black	0428585	HH.4550101	4550101
Socket–Top Hinge Silver	0428589	HH.4550103	4550103
Spring–Top Hinge Pin	0428549	HH.4550114	4550114
Switch–Ballast Supply Power	0428613	SW.4440103	4440103
Washer–Flat Torsion Assembly	0428629	XX.0428629	4550124

**APPENDIX A –
REPLACEMENT BALLAST
WIRING**

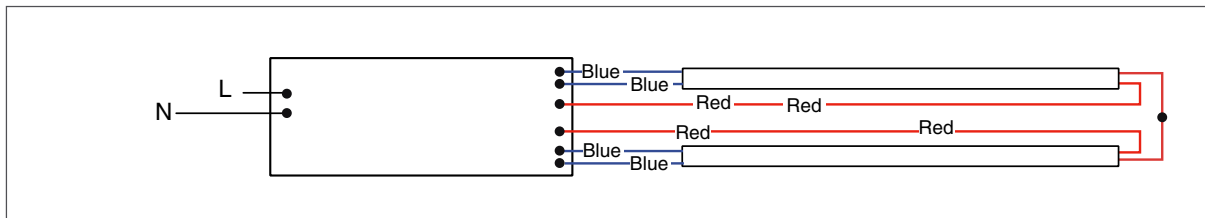
The diagrams below may be of assistance when changing from one ballast type to another. All

wiring must be done in accordance with NEC and local codes.



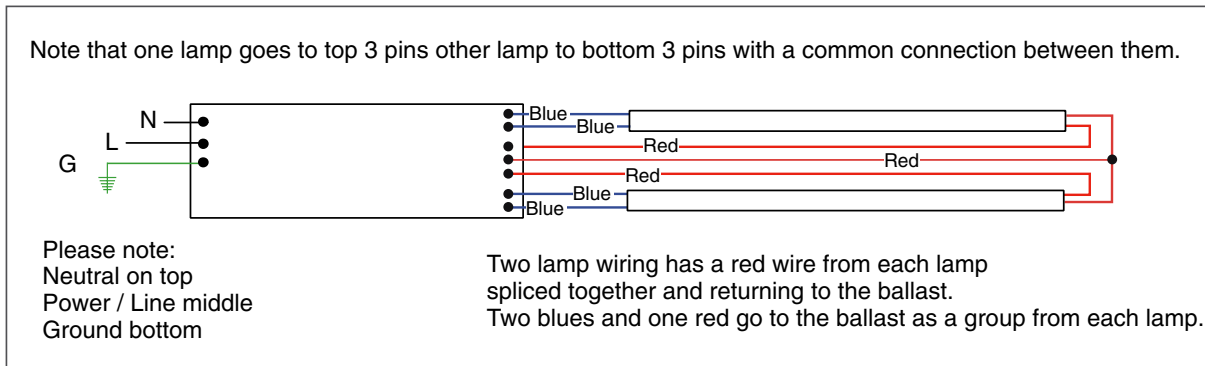
HUSSMANN / SYL - QT 2X54/120PHC

P/N 0425671



HUSSMANN / Jamicon 2/F58/120V

P/N 0430330



A decorative border made of a repeating blue geometric pattern, resembling a stylized knot or interlocking lines, surrounds the entire page content.

HUSSMANN[®]

To obtain warranty information
or other support, contact your
Husmann representative.
Please include the model and
serial number of the product.